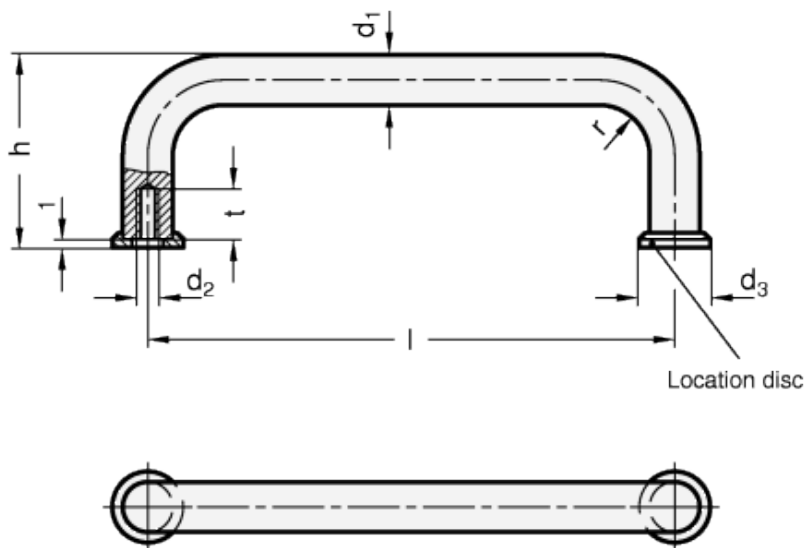


GN 425-A4

Handles



INOX
Stainless Steel



technical informations

Material

AISI 316L stainless steel (A4).

Assembly

Tapped blind holes.

Washers

AISI 316L stainless steel, supplied not assembled.

Special executions on request (For sufficient quantities)

Stainless steel (A4) version electro polished.

Features and applications

Stainless Steel-Cabinet "U"handles GN 425 are supplied with two stainless steel location discs. They guarantee a perfect location even with large holes in the cabinet. The discs are loosely enclosed.
The manufacturing process (bending) allows the production of special lengths in relatively small quantities.

Standard Elements	Main dimensions					Mounting holes		Weight
Description	d ₁	l _{±0.25}	d ₃	h	r	d ₂	t _{min.}	g
GN 425-A4-10-88*-GS	10	88*	15	43	12	M5	12	92
GN 425-A4-10-100-GS	10	100	15	43	12	M5	12	99
GN 425-A4-10-120*-GS	10	120*	15	43	12	M5	12	111
GN 425-A4-10-180-GS	10	180	15	43	12	M5	12	151
GN 425-A4-10-200-GS	10	200	15	43	12	M5	12	163
GN 425-A4-10-235*-GS	10	235*	15	43	12	M5	12	185

* suitable for 19" rack and enclosure layout



ELESA and GANTER models all rights reserved in accordance with the law. Always mention the source when reproducing our drawings.

STANDARD MACHINE ELEMENTS WORLDWIDE